

Embedded Software Modules for FlexRay

FlexRay Evaluation Bundle

The use of standardized software modules helps you master growing software complexity in the interactions between all network elements. Our FlexRay communication modules – also known as FlexRay-Stack – are developed according to the AUTOSAR architecture.

To assist you in your initial work with FlexRay communication we offer a FlexRay Evaluation Bundle. Furthermore we develop FlexRay-Stacks for production purposes according to AUTOSAR or your specific requirements. Please contact us for further information.

Advantages

Using the FlexRay Evaluation Bundle you will quickly implement a flexible FlexRay network based on two evaluation boards of your choice. The bundle contains a set of AUTOSAR 2.0 compatible software modules and the necessary tools.

The FlexRay Evaluation Bundle is fully integrated in the proven Vector tool chain that supports you through planning, design, simulation, diagnostics and ECU tests up to finally functional analysis and optimization of your entire system.

Your Advantage with the Vector Solution

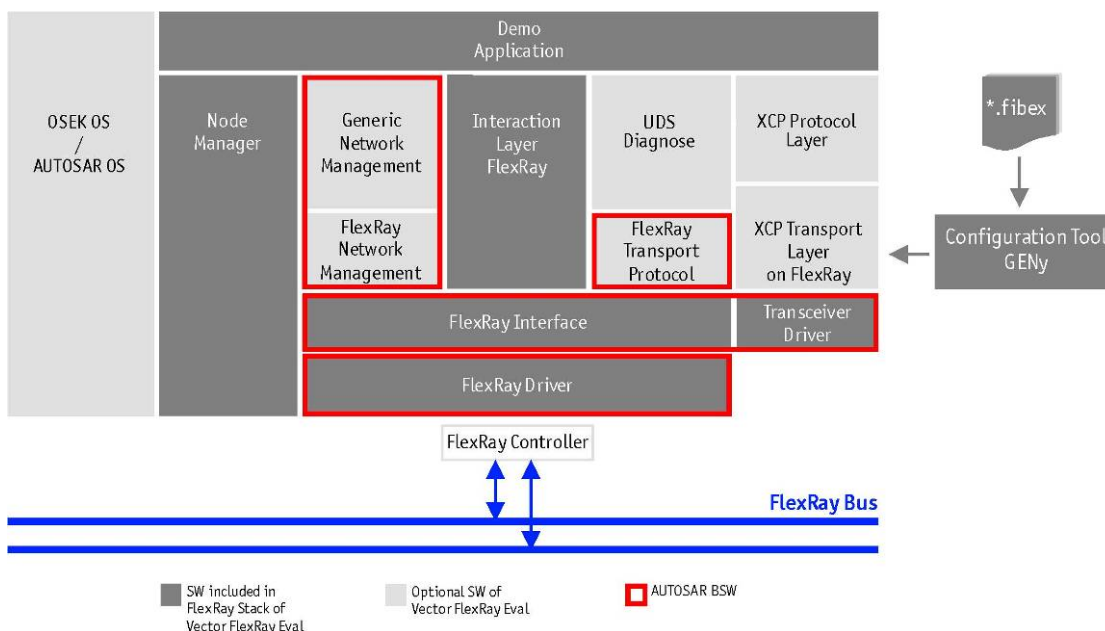
The Vector FlexRay Evaluation Bundle supports you along the path to realizing production applications with FlexRay:

- > Our sample application allows you to quickly and easily create your first FlexRay communication.
- > The sample application can be easily replaced by your own application to deepen your knowledge.
- > You can evaluate the target application on your own hardware.
- > The conformity to AUTOSAR or any OEM specific standards is ensured.

Benefit from Vector’s experience in embedded software and communication know-how in the automotive field!

Components of the FlexRay Evaluation Bundle

The FlexRay Evaluation Bundle contains an exemplary sample application in addition to the FlexRay software modules (Stack). This sample application involves a system with two nodes that communicate via FlexRay. It lets you use the bundle on your target hardware without requiring any extra effort.



The Vector FlexRay Evaluation Bundle

Notes:

“Evaluation Bundle” means:

- > Stack components are supplied as a library (application as source)
- > Limited utilization rights
- > No warranty
- > No liability

Hardware platforms containing the following integrated or external FlexRay communication controllers (CC) are supported:

Based on BOSCH E-Ray CC:

- > NEC V850 Phoenix-FS
- > Infineon CIC310

Based on Freescale CC:

- > Freescale MFR4X00, S12XFR128 / S12XF512
- > Freescale PowerPC MPC55xx

Based on Xilinx CC:

- > MicroBlaze

Other microcontrollers and FlexRay communication controllers are available upon request.

In terms of the operating system you can choose between a conventional OSEK-OS (e.g. osCAN from Vector), an AUTOSAR OS that supports one of four Scalability Classes (e.g. osCAN/ AUTOSAR) or a comparable operating system.

FlexRay-Stack

The FlexRay Evaluation Bundle contains the FlexRay-Stack with the following AUTOSAR 2.0 compatible modules:

- > FlexRay interface,
- > FlexRay driver,
- > External FlexRay transceiver driver

and these supplemental modules specific to the Evaluation Bundle:

- > Node Manager,
- > Interaction Layer for FlexRay

The configuration of all supplied software modules based on a FIBEX file is easily and user-friendly carried out with the help of the proven Vector configuration tool GENy. The FIBEX file itself may be created e.g. using the DaVinci Network Designer.

Options

The following FlexRay software modules are available as options. They complete the Vector FlexRay Stack or can be easily integrated with any AUTOSAR FlexRay Stack:

- > AUTOSAR Network Management (Generic or FlexRay),
- > AUTOSAR FlexRay Transport Layer,
- > XCP-on-FlexRay (according to the ASAM specification) and
- > FlexRay Flash Bootloader.

Moreover, the FlexRay-Stack can be integrated seamlessly in the Vector AUTOSAR Evaluation Bundle.

Contact

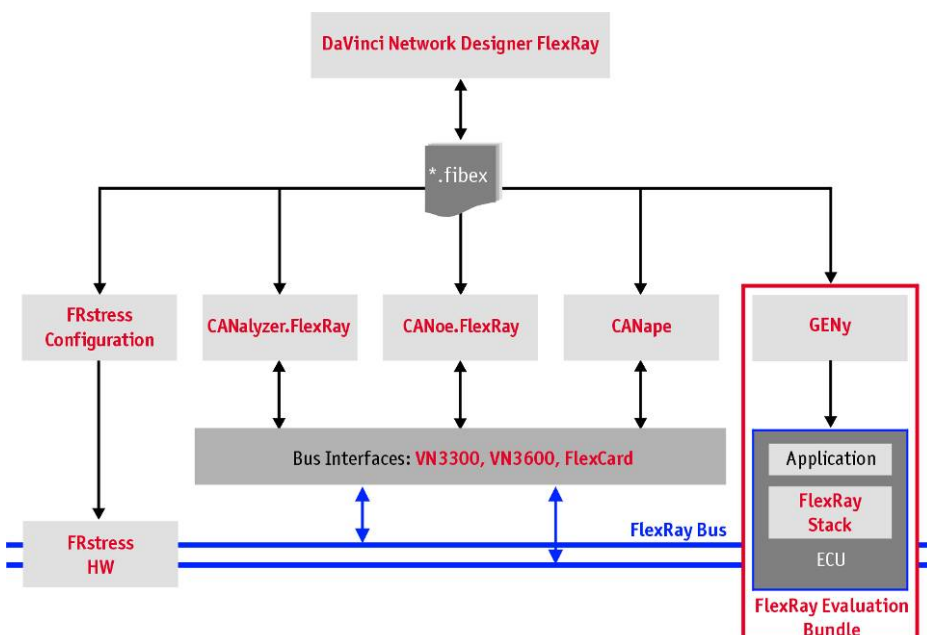
Do you have any questions, need a detailed quotation or specific OEM/TIER1 extensions? Then please contact us at:

Telephone: +49 711/80670-336

E-mail: FlexRayEmbedded@vector-informatik.de

Or visit us at our home page:

www.flexray-solutions.com



**The Vector FlexRay
tool chain**